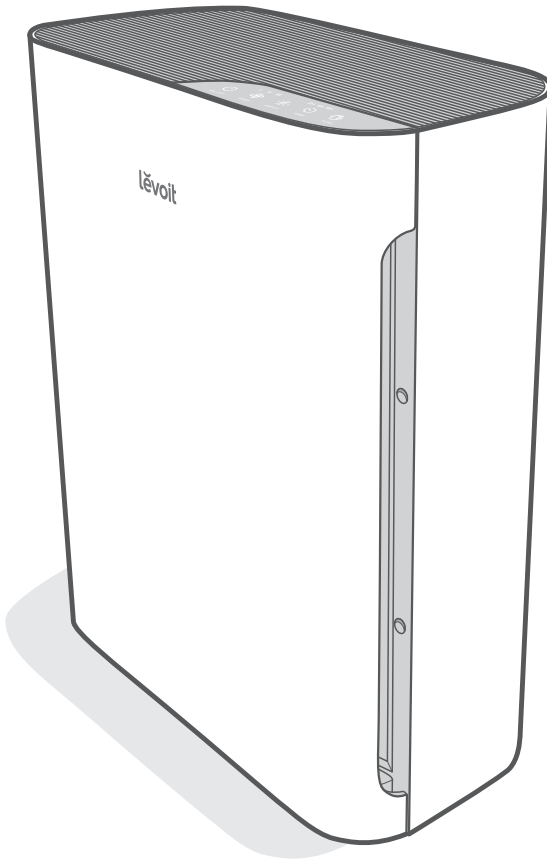


levoit

USER MANUAL

True HEPA Air Purifier

Model: Vital 100



Questions or Concerns?

Please contact us Mon–Fri, 9:00 am–5:00 pm PST/PDT at support@levoit.com or at **(888) 726-8520**.

Thank you for purchasing the
**VITAL 100 TRUE
HEPA AIR PURIFIER
BY LEVOIT.**

If you have any questions or concerns, please reach out to us at support@levoit.com. We hope you enjoy your new air purifier!

Share the Levoit Love

Find [@LevoitLifestyle](#) on social media for wellness + style inspiration. We make every space mindful and chic.

[@LevoitLifestyle](#)

[#LevoitLove](#) • [#LevoitLifestyle](#)

Table of Contents

Package Contents	3
Specifications	3
Safety Information	4
Getting to Know Your Air Purifier	5
Controls	6
Getting Started	6
Using Your Air Purifier	7
About the Filter	8
Keeping Things Clean	10
Troubleshooting	13
Warranty Information	15
Customer Support	16

Package Contents

1 x	Air Purifier
1 x	True HEPA 3-Stage Original Filter (Pre-Installed)
1 x	User Manual
1 x	Quick Start Guide

Specifications

Voltage	AC 120V, 60Hz
Rated Power	55W
Effective Range	≤ 300 ft ² / 28 m ²
CADR	130 CFM / 221 m ³ /h
Operating Conditions	Temperature: 14°–104°F / -10°–40°C
	Humidity: < 85% RH
Noise Level	23–50dB
Standby Power	< 0.5W
Dimensions	12.8 x 6.4 x 16.1 in / 32.4 x 16.2 x 41 cm
Weight	9.3 lb / 4.2 kg

SAFETY INFORMATION

To reduce the risk of fire, electric shock, or other injury, follow all instructions and safety guidelines.

General Safety

- **Only** use your air purifier as described in this manual.
- **Do not** use without removing the plastic wrap from the filter. The air purifier will not filter air, and may overheat, causing a fire hazard.
- **Do not** use your air purifier outdoors.
- Keep your air purifier away from water, and wet or damp areas. **Never** place in water or liquid.
- **Do not** use in excessively humid areas.
- Keep your air purifier away from heat sources.
- **Do not** use where combustible gases, vapors, metallic dust, aerosol (spray) products, or fumes from industrial oil are present.
- Keep 5 ft / 1.5 m away from where oxygen is being administered.
- Supervise children when they are near the air purifier.
- **Do not** place anything into any opening on the air purifier.
- **Do not** sit or place heavy objects on the air purifier.
- Keep the inside of the air purifier dry. To prevent moisture buildup, avoid placing in rooms with major temperature changes or underneath air conditioners.
- **Always** unplug your air purifier before servicing (such as changing the air filter).
- **Do not** use your air purifier if it is damaged or not working correctly, or if the cord or plug is damaged. **Do not** try

to repair it yourself. Contact **Customer Support** (see page 16).

- **WARNING: Do not** use this air purifier with solid-state speed controls (such as a dimmer switch).
- Not for commercial use. Household use **only**.

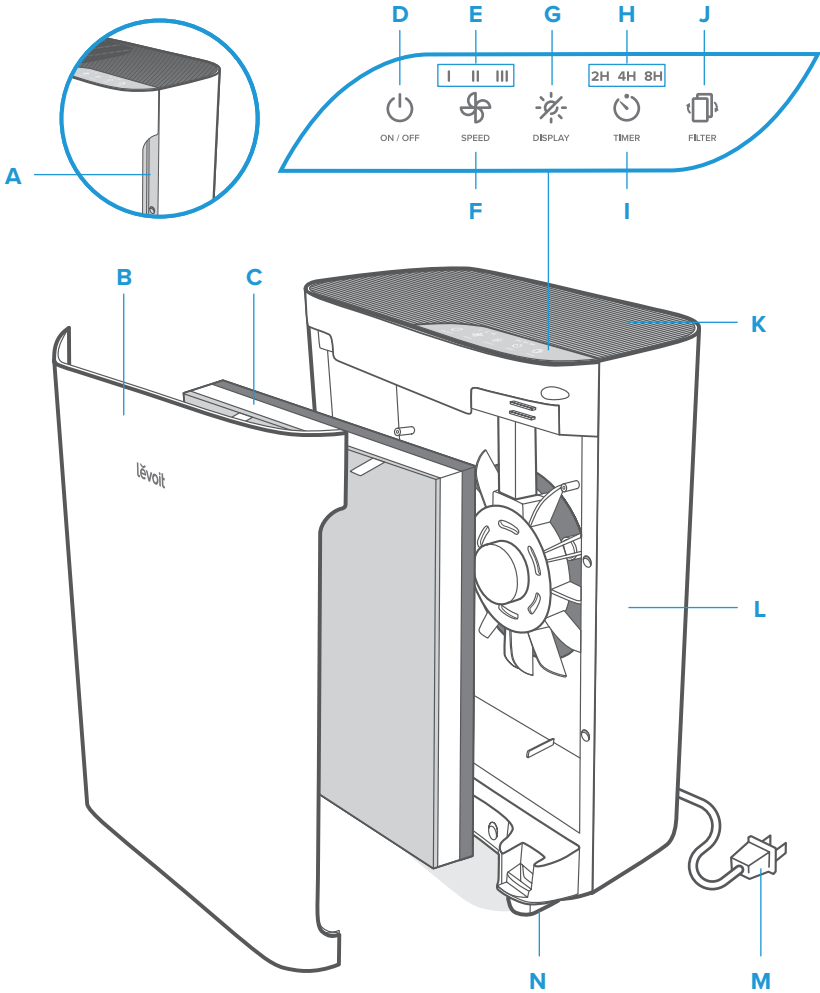
Plug and Cord

- Keep air purifier near the outlet it is plugged into.
- **Never** place the cord near any heat source.
- **Do not** cover the cord with a rug, carpet, or other covering. **Do not** place the cord under furniture or appliances.
- Keep the cord out of areas where people walk often. Place the cord where it will not be tripped over.
- This appliance has a polarized plug (one blade is wider than the other). To reduce the risk of electric shock, this plug is intended to fit in a polarized outlet only one way. If the plug does not fit fully in the outlet, reverse the plug. If it still does not fit, contact a qualified electrician. **Do not** attempt to defeat this safety feature.
- This air purifier uses standard US 120V, 60Hz outlets. If using in a different area, check for compatibility.

**READ AND SAVE
THESE INSTRUCTIONS**

GETTING TO KNOW YOUR AIR PURIFIER

- A. Air Inlet
- B. Filter Cover
- C. True HEPA 3-Stage Original Filter
- D. On/Off Button
- E. Fan Speed Indicators
- F. Fan Speed Button
- G. Display Off Button
- H. Timer Indicators
- I. Timer Button
- J. Check Filter Indicator
- K. Air Outlet
- L. Housing
- M. Power Cord
- N. Anti-Skid Pads



CONTROLS



On/Off Button

- Turns the air purifier on/off.




Fan Speed Button

- Cycles through fan speeds: I (low), II (medium), and III (high).



Display Off Button

- Turns the display off.
- Tap any button (except ) to turn the display back on.



Timer Button

- Cycles through timer options (see page 8).



Check Filter Indicator

- Lights up when the air filter should be checked (see [Check Filter Indicator](#), page 10).

GETTING STARTED

1. Open the filter cover of the air purifier and remove the True HEPA filter from its plastic packaging. [\[Figure 1.1\]](#)
2. Place the filter back into the air purifier with the pull tabs facing out. [\[Figure 1.2\]](#)

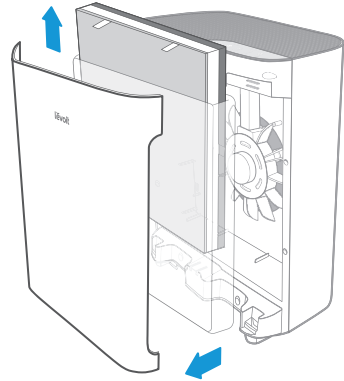


Figure 1.1

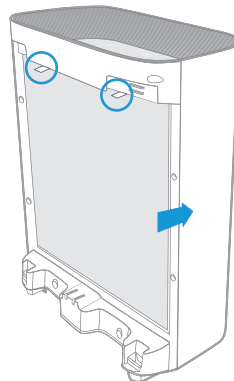


Figure 1.2

GETTING STARTED (CONT.)

3. Replace the back cover by lining up the cover's feet with the matching slots on the bottom of the housing. [Figure 1.3]
4. Push the cover closed.
5. Place the air purifier on a hard, flat surface. Leave 15 in / 38 cm of clearance to allow air to pass through the air inlets on the sides. [Figure 1.4]

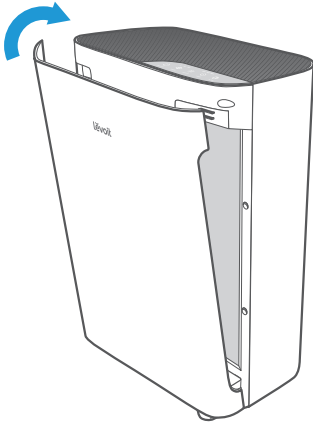




Figure 1.3

USING YOUR AIR PURIFIER

General Operation

1. Plug in and tap  to turn the air purifier on/off. The fan will start on level I.
2. Optionally, tap  to cycle fan speeds between I, II, and III.

Note:

- The indicators are not buttons and cannot be used to change the fan speed.
- The fan speed indicators will light up when active.
- Fan speed III is the loudest, but cleans air the quickest.
- For best results, or to address a specific air quality issue such as smoke, run the air purifier at maximum speed (level III) for 15–20 minutes before using a lower speed.
- To effectively clean air, keep windows and doors closed while the air purifier is on.

Memory Function

When the air purifier is plugged in, it will remember its previous fan speed setting.

Note: The air purifier will not remember timers.

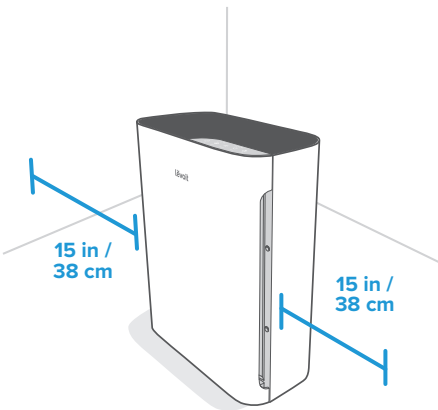



Figure 1.4


USING YOUR PURIFIER (CONT.)

Timer

You can set a timer for 2, 4, or 8 hours.

1. Tap  repeatedly to select a time. The timer will start automatically.

Note:

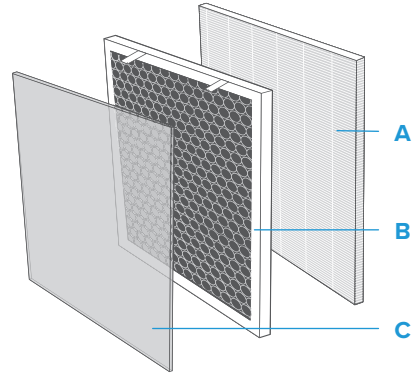
- *The indicators are not buttons and cannot be used to select a time.*
 - *The timer indicators will light up blue when active.*
2. Once the timer has finished, the air purifier will power off.
 3. To cancel a timer, tap  until all timer indicators are off.

Note:

- *You can change the fan speed at any time while the timer is on.*
- *The timer will restart if the time is changed.*

ABOUT THE FILTER

The air purifier uses a 3-stage filtration system to purify air.



A. True HEPA Filter

- Removes at least 99.97% of airborne particles 0.3 micrometers (μm) in diameter.
- Filters small particles such as smoke, dust, mold spores, bacteria, viruses, and allergens such as pollen, dander, and mites.

B. High-Efficiency Activated Carbon Filter

- Physically absorbs unwanted odors and fumes.
- Filters compounds such as formaldehyde, benzene, ammonia, hydrogen sulfide, and volatile organic compounds (VOCs).

C. Pre-Filter

- Captures large particles such as dust, lint, fibers, hair, and pet fur.
- Maximizes the filter's life by protecting it.

ABOUT THE FILTER (CONT.)

Clean Air Delivery Rate

This air purifier has a Clean Air Delivery Rate of 130 cubic feet per minute (CFM), or 221 m³/h.

Clean Air Delivery Rate (CADR) measures the efficiency of an air purifier by indicating the volume of clean air that an air purifier produces per minute. This is based on removal of dust, pollen, and smoke, which are the 3 most common indoor air pollutants. The higher the CADR, the more particles the air purifier will remove and the larger the area it can clean. The rating is measured at the air purifier's highest speed.

Air Change Per Hour

The air change rate is how many times all of the air in a room can be purified (or "changed") by the air purifier in 1 hour. Air changes per hour are calculated on the recommended room size assuming 8 ft / 2.4 m ceilings. For smaller rooms, the air change per hour will increase. The Vital 100 has an air change per hour of 3.3, which means it can change air 3.3 times at the max speed. This air purifier works best in single, closed rooms up to 300 ft² / 28 m².

Note: To effectively clean air, keep windows and doors closed while the air purifier is on.

Humidity

Moisture may damage the air filters. This air purifier should be used in an area with a humidity level below 85% RH. If you use the air purifier in excessively humid areas, the surface of the filter will become moldy.

Note: Water or moisture will allow mold to grow. Air purifiers cannot solve an existing mold problem, only remove mold spores and reduce odors.

Essential Oils


Do not add essential oils to the air purifier or air filter. The filter will become damaged by the oil and will eventually release an unpleasant smell. **Do not** use oil diffusers near the air purifier.

KEEPING THINGS CLEAN

Cleaning the Air Purifier

- Unplug before cleaning.
- Wipe the outside of the air purifier with a soft, dry cloth. If necessary, wipe the housing with a damp cloth, then immediately dry.
- Vacuum the inside of the air purifier.
- **Do not** clean with abrasive chemicals or flammable cleaning agents.


When Should I Replace the Air Filter?

The filter should be replaced every 6–8 months. You may need to replace your filter sooner or later depending on how often you use your air purifier. Using your air purifier in an environment with relatively high pollution may mean you will need to replace the filter more often, even if  is off.

You may need to replace your filter if you notice:

- Increased noise when the air purifier is on
- Decreased airflow
- Unusual odors
- A visibly clogged filter



Note:

- Remember to reset  after changing the filter.

To maintain the performance of your air purifier, **only** use official Levoit filters. To buy replacement filters, scan the QR code or go to Amazon and search **B07VQHFHRP**. You can check the official website, **levoit.com**, for more information.











Check Filter Indicator

 will light up as a reminder to check the air filter. Depending on how often you use the air purifier, the indicator should turn on within 6–8 months. You may not need to replace your filter yet, but you should check it when  turns on.

KEEPING THINGS CLEAN (CONT.)

Resetting the Check Filter Indicator

Reset the Check Filter Indicator when:

- A.  lights up.
 1. Replace the air filter (see page 12).
 2. Turn on the air purifier.
 3. Press and hold  for 3 seconds.
 4.  will turn off when successfully reset.
- B. The air filter was changed before  lit up.
 1. Press and hold  for 3 seconds. This will turn on .
 2. Press and hold  again for 3 seconds.
 3.  will turn off when successfully reset.

Cleaning Air Filter

The Pre-Filter should be cleaned once a month to increase the efficiency and extend the life of your filter. Clean the inside and outside of the Pre-Filter using a soft brush or vacuum hose to remove hair, dust, and large particles.

To clean the Pre-Filter:

1. Remove the filter from the housing and peel the Pre-Filter away from the True HEPA and Activated Carbon Filters. *[Figure 2.1]*
2. Clean both sides of the Pre-Filter using a soft brush or vacuum hose to remove hair, dust, and large particles.

3. Gently wash the Pre-Filter under running water. Dry completely before placing it back on the velcro tape.
4. Replace filter in housing.

Note: Do not clean the True HEPA and Activated Carbon Filters with water or other liquids.

Filter	When to Clean	When to Replace
Pre-Filter	Every 2–4 weeks	6–8 months
True HEPA & Activated Carbon Filter	Do not clean	

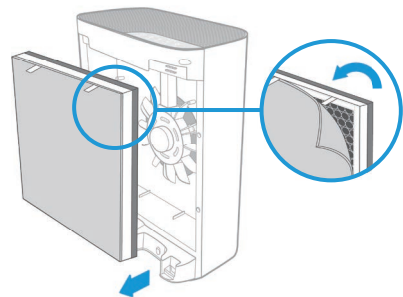


Figure 2.1

KEEPING THINGS CLEAN (CONT.)

Replacing the Air Filter

1. Unplug the air purifier and remove the filter cover.
2. Remove the old air filter and properly dispose of it.
3. Clean out any remaining dust or hair inside the air purifier using a vacuum hose. Do not use water or liquids to clean the air purifier. *[Figure 3.1]*
4. Unwrap the new filter and place inside the air purifier with the pull tabs facing out.
5. Replace the filter cover. The air purifier will not power on unless the filter cover is replaced correctly.
6. Reset the Check Filter Indicator (see page 11).

Storage

If not using the air purifier for an extended period of time, wrap both the air purifier and the filter in plastic packaging and store in a dry place to avoid moisture damage.

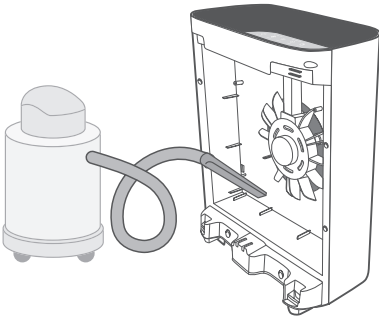











Figure 3.1

TROUBLESHOOTING

Problem	Possible Solution
<p>Air purifier will not turn on or respond to button controls.</p>	<p>Plug in the air purifier.</p>
	<p>Check to see if the power cord is damaged. If so, stop using the air purifier and contact Customer Support (see page 16).</p>
	<p>Plug the air purifier into a different outlet.</p>
	<p>The air purifier is malfunctioning. Contact Customer Support (see page 16).</p>
<p>Airflow is significantly reduced.</p>	<p>Make sure the filter is removed from its packaging and properly in place (see page 6).</p>
	<p>Tap  to increase the fan speed.</p>
	<p>Make sure there are at least 15 in / 38 cm of clearance to allow air to pass through the air inlets on the sides.</p>
	<p>The Pre-Filter may be clogged by large particles, such as hair or lint, blocking air flow. Clean the Pre-Filter (see page 11).</p>
	<p>Replace the air filter (see page 12).</p>
<p>Air purifier makes an unusual noise while the fan is on.</p>	<p>Make sure the air filter is properly in place with plastic packaging removed (see page 6).</p>
	<p>Make sure the air purifier is operating on a hard, flat, even surface.</p>
	<p>Replace the air filter (see page 12).</p>
	<p>The air purifier may be damaged, or a foreign object may be inside. Stop using the air purifier and contact Customer Support (see page 16). Do not try to repair the air purifier.</p>
<p>Strange smell coming from the air purifier.</p>	<p>Clean the filter or replace if necessary.</p>
	<p>Contact Customer Support (see page 16).</p>
	<p>Make sure not to use your air purifier in an area with high humidity or while diffusing essential oils.</p>

TROUBLESHOOTING (CONT.)

Problem	Possible Solution
<p>Poor air purification quality.</p>	<p>Tap  to increase the fan speed.</p>
	<p>Make sure no objects are blocking the sides or top of the air purifier (the inlet or outlet).</p>
	<p>Make sure the filter is removed from its packaging and properly in place (see page 6).</p>
	<p>Close doors and windows while using the air purifier.</p>
	<p>Make sure the room is smaller than 300 ft² / 28 m². The air purifier may not be as effective in larger rooms.</p>
	<p>Replace the air filter (see page 12).</p>
<p> is still on after replacing the air filter.</p>	<p>Reset the Check Filter Indicator (see page 11).</p>
<p> has not turned on within 8 months.</p>	<p> is a reminder for you to check the air filter and will light up based on how long the air purifier has been used (see page 10). If you don't use your air purifier often,  will take longer to turn on.</p>
<p> turned on before 6 months.</p>	<p> is a reminder for you to check the air filter and will light up based on how long the air purifier has been used (see page 10). If you run your air purifier frequently,  will turn on sooner.</p>

If your problem is not listed, please contact [Customer Support](#) (see page 16).

WARRANTY INFORMATION

Product	True HEPA Air Purifier
Model	Vital 100
Default Warranty Period	1 year
<i>For your own reference, we strongly recommend that you record your order ID and date of purchase.</i>	

Terms & Policy

Arovast Corporation warrants all products to be of the highest quality in material, craftsmanship, and service, effective from the date of purchase to the end of the warranty period.

Arovast Corporation will replace any product found to be defective due to manufacturer flaws based on eligibility. Refunds are available within the first 30 days of purchase. Refunds are only available to the original purchaser of the product. This warranty extends only to personal use and does not extend to any product that has been used for commercial, rental, or any other use in which the product is not intended for. There are no warranties other than the warranties expressly set forth with each product.

This warranty is non-transferrable. Arovast Corporation is not responsible in any way for any damages, losses, or inconveniences caused by equipment failure by user negligence, abuse, or use noncompliant with the user manual or any additional safety, use, or warnings included in the product packaging and manual.

This warranty does not apply to the following:

- Damage due to abuse, accident, alteration, misuse, tampering, or vandalism.
- Improper or inadequate maintenance.
- Damage in return transit.
- Unsupervised use by children under 18 years of age.

Arovast Corporation and its subsidiaries assume no liability for damage caused by the use of the product other than for its intended use or as instructed in the user manual. Some states do not allow this exclusion or limitation of incidental or consequential losses so the foregoing disclaimer may not apply to you. This warranty gives you specific legal rights and you may also have other rights which may vary from state to state.

ALL EXPRESSED AND IMPLIED WARRANTIES, INCLUDING THE WARRANTY OF MERCHANTABILITY, ARE LIMITED TO THE PERIOD OF THE LIMITED WARRANTY.

Additional 1-Year Warranty

You can extend your 1-year warranty by an additional year. Log onto www.levoit.com/warranty to register your new product for the extended warranty.

Please fill out all required fields and include your order ID, place of purchase, and purchase date, if applicable.

Defective Products & Returns

If your product proves defective within the specified warranty period, please contact Customer Support via support@levoit.com with your order ID. **Do not** dispose of your product before contacting us. Once Customer Support has approved your request, please return the unit with a copy of the invoice or your order ID.

CUSTOMER SUPPORT

If you encounter any issues or have any questions regarding your new product, feel free to contact our helpful Customer Support Team. Your satisfaction is our goal!

Customer Support

Arovast Corporation

1202 N. Miller St., Suite A
Anaheim, CA 92806

Email: support@levoit.com

Toll-Free: (888) 726-8520

Support Hours

Mon–Fri, 9:00 am–5:00 pm PST/PDT

*Please have your order invoice and order ID ready before contacting Customer Support.

Connect with us @LevoitLifestyle



lěvoit

levoit.com